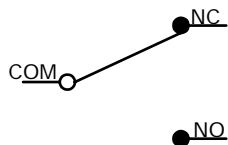


P.C. MOUNTING

▲ O.P. (MM)	P.T. (MM)
6.8 ± 0.5	1.8 MAX.

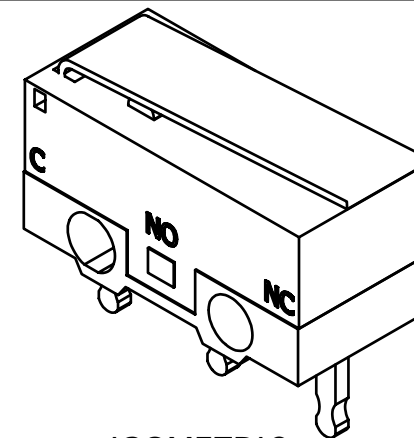
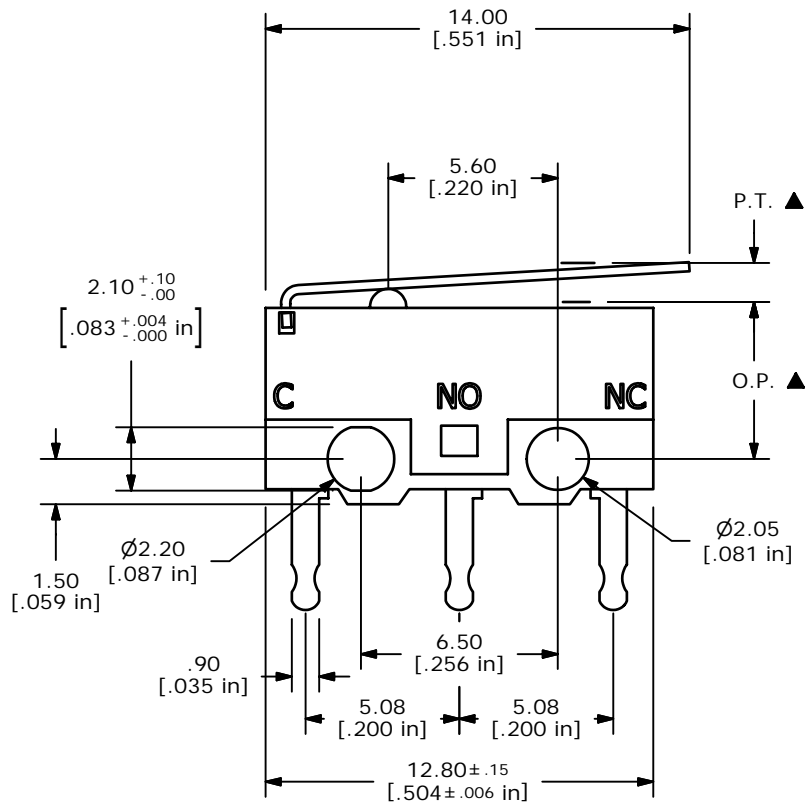
O.P. = OPERATING POINT  
P.T. = PER-TRAVEL



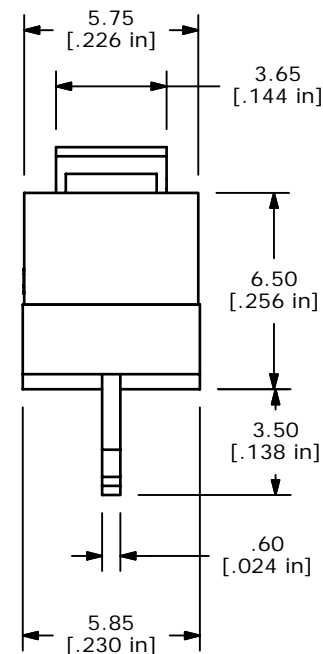
CIRCUIT: SPDT

NOTES:

1. ALL DIMENSIONS IN MM [INCH]
2. GENERAL TOLERANCE: X.X=± 0.4  
X.XX=± 0.25
- ▲3. RATING: 1A @125VAC UL, CSA APPROVED
- ▲4. OPERATING FORCE: 45± 8 GRAMS
5. OPERATING TEMP: -25°C TO 85°C
6. ELECTRICAL LIFE: 300,000 CYCLES MIN.
7. INSULATION RESISTANCE: 100 MEGA-OHMS
8. DIELECTRIC STRENGTH: 1000V RMS AT SEA LEVEL
9. ▲ DENOTES CRITICAL PARAMETER.
10. 2002/95/EC (ROHS) COMPLIANT
11. CONTACT MATERIAL SILVER



ISOMETRIC



C	17477	REVISED AND REDRAWN	7/16/07	BF
REV	PCR NO	DESCRIPTION	DATE	BY

TITLE <b>DM0850101F045P1A</b>				
SCALE	DATE	DR	DWG	REV
4:1	7/16/2007	BF	P030004	C

THE INFORMATION CONTAINED IN THIS DOCUMENT IS PROPRIETARY TO E-SWITCH AND IS NOT TO BE COPIED OR TRANSFERRED